

R410A GMV Dual Fuel A-Coil

MODEL:GMV-N36AC/VA-T(U)



Item	Unit	Specification
Model	—	GMV-N36AC/VA-T(U)
Performance		
Rated Cooling Capacity	Btu/h	36000
Rated Heating Capacity	Btu/h	40000
Electrical Data		
Power Supply	V/Ph/Hz	208~230/1/60
Maximum Overcurrent Protection (MOP)	A	15
Minimum Circuit Amps (MCA)	A	0.1
Refrigerant		
Refrigerant	—	R410A
Dimension/Weight		
Dimensions (H×W×D)	mm/inch	584×445×540 23×17-1/2×21-1/4
Net Weight	kg/lbs	33/73
Other		
Certification	-	AHRI/ETL

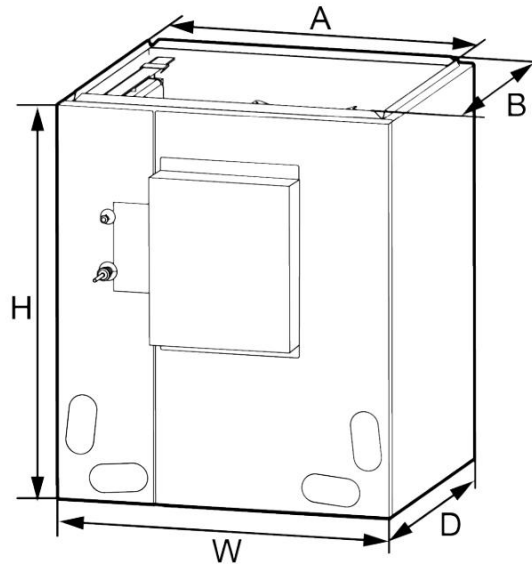
Job Name:

Schedule Reference:

Date:

Specification are subject to change without notice.

Outline and Physical Dimensions of GMV-N36AC/VA-T(U).



Model	Dimension				
	W	D	H	A	B
GMV-N36AC/VA-T(U)	445(17-1/2)	540(21-1/4)	584(23)	403(15-7/8)	492(19-3/8)

Unit outline dimension: mm(inch)

