

GMV6

GMV Heat Recovery DC Inverter VRF 72K

| Item | Unit | Specification |
|---|--------------------------------|--------------------------------------|
| Model | — | GMV-Q72WM/C-F(U) |
| Performance | | |
| Rated Cooling Capacity | Btu/h | 72000 |
| Rated Heating Capacity | Btu/h | 81000 |
| Sound Pressure Level | dB(A) | 58 |
| Operating Temperature Range | Cooling (Outdoor) °C/°F | -15°C(5°F)~52°C(126°F) |
| | Heating (Outdoor) °C/°F | -25°C(-13°F)~24°C(75°F) |
| Heat Recovery Operating Temperature Range | °C/°F | -5°C(-23°F)~24°C(75°F) |
| AHRI Ratings(Ducted/ Non-Ducted) | | |
| EER(Non-ducted/Ducted) | Btu/h.W | 10.25/11.2 |
| COP(Non-ducted/Ducted) | W/W | 3.95/3.68 |
| IEER(Non-ducted/Ducted) | - | 21.2/20.4 |
| SCHE(Non-ducted/Ducted) | - | 31.0/25.0 |
| Electrical Data | | |
| Power Supply | V/Ph/Hz | 208~230/3/60 |
| Maximum Overcurrent Protection (MOP) | A | 60 |
| Minimum Circuit Amps (MCA) | A | 51 |
| Fan | | |
| Type x Quantity | — | Axial-flow |
| Air Flow Volume | CFM | 5740 |
| Fan Motor Power Output | W | 750 |
| Compressor | | |
| Compressor Type x Quantity | — | Inverter Scroll |
| Compressor Refrigerant Oil Type | — | FV68H |
| Compressor Refrigerant Oil Charge Volume | L/Gal | 3.5+1.1 |
| Refrigerant Piping | | |
| Connection Pipe | High Pressure Gas(mm/inch) | Φ15.9/ 5/8 |
| | Low Pressure Gas Pipe(mm/inch) | Φ19.05/ 3/4 |
| | Liquid(mm/inch) | Φ9.52/3/8 |
| Max. Equivalent Connection Pipe Length | m/ft | 160/524 7/8 |
| Refrigerant Charge | kg/oz | 9.6/338.7 |
| Refrigerant | — | R410A |
| Dimension /Weight | | |
| Dimensions (H×W×D) | mm/inch | 1690×930×775 66-1/2×36-5/8×30-1/2 |
| Net Weight | kg/lbs | 265/584 |
| Other | | |
| Indoor Unit | Max Connectable Quantity | 13 |
| Certification | - | AHRI/ETL |
| Condenser Fin Color | - | Golden |



Job Name:

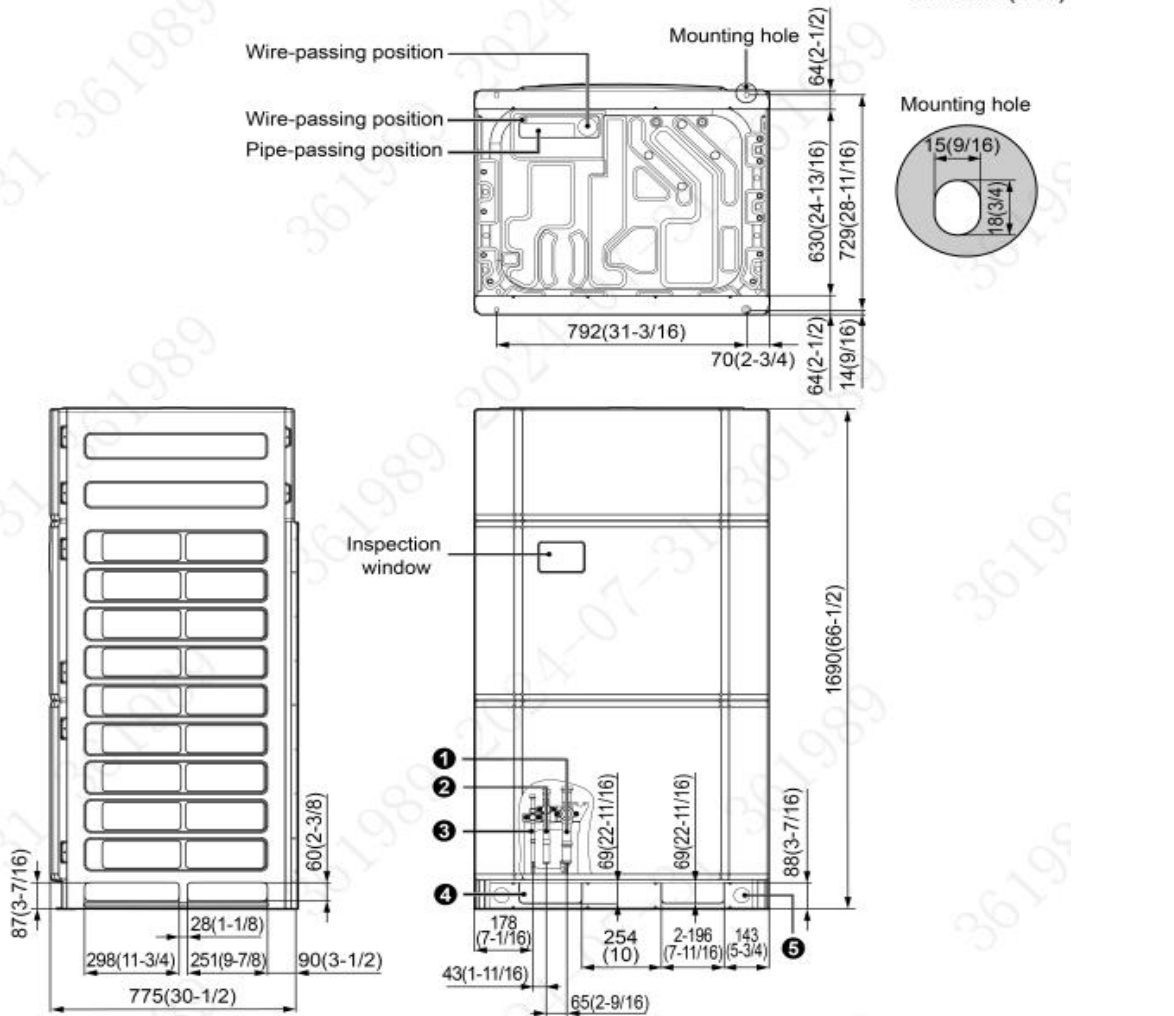
Schedule Reference:

Date:

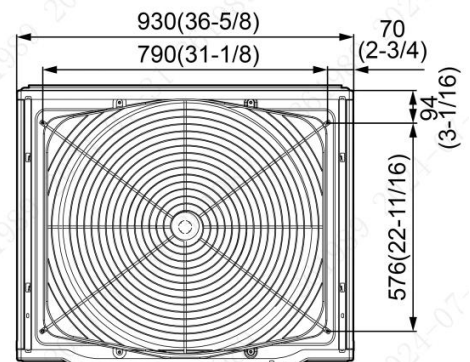
Specification are subject to change without notice.

Outline and Physical Dimensions of Unit

Unit: mm(inch)



| No. | Name | GMV-Q72WM/C-F(U) | Remark |
|-----|------------------------------------|-------------------------|------------------------|
| 1 | Low pressure gas pipe | Φ19.05(3/4) | For Heat Recovery Mode |
| 2 | High pressure gas pipe | Φ15.9(5/8) | |
| 3 | Liquid pipe | Φ9.52(3/8) | |
| 2 | Gas pipe | Φ19.05(3/4) | For Heat Pump Mode |
| 3 | Liquid pipe | Φ9.52(3/8) | |
| 4 | Pipe and wiring passing hole (LxW) | 234×69 (9-3/16×2-11/16) | / |
| 5 | Hoist hole | Φ50(1-15/16) | / |



GREE ELECTRIC APPLIANCES, INC. OF ZHUHAI