

SUBMITTAL DATA

GMV-V36WL/C-T(U)
36000 BTU/H Multi-Zone Heat Pump System

Job Name	Location	Date
Purchaser	Engineer	
Submitted to	For	
Unit Designation	Schedule No.	



GMV-V36WL/C-T(U)

GENERAL FEATURES

- AHRI Certificate: 211698448 (Non-Ducted)
211698446 (Ducted)
- High Efficiency DC Inverter Technology
- Compact and Quiet Design
- Auto Restart on Power Outages
- Multi-point Diagnostics
- Cooling down to 0°F (Range 0°F to 129°F)
- Heating down to -22°F (Range -22°F to 81°F)
- Coil (Indoor and Outdoor) Copper Tube / Aluminum Fin
- Gold Colored Fin - 1500 Hrs Salt Spray Tested

SPECIFICATIONS, FEATURES & FUNCTION SUMMARY

SPECIFICATIONS		GMV-V36WL/C-T(U)	
System Type	HEAT PUMP		
Number of Zones	7		
SYSTEM PERFORMANCE		NON-DUCTED INDOOR UNITS	
Cooling	Capacity @95°F	Btu/h	36000
	Capacity @17°F	Btu/h	22000
Heating	Capacity @47°F	Btu/h	36000
	SEER2	23	
EER2	13		
HSPF2	9		
COP @5°F	2.4		
COP @47°F	4.4		
SYSTEM PERFORMANCE		DUCTED INDOOR UNITS	
Cooling	Capacity @95°F	Btu/h	36000
	Capacity @17°F	Btu/h	24000
Heating	Capacity @47°F	Btu/h	36000
	SEER2	18.5	
EER2	11.5		
HSPF2	8.7		
COP @5°F	2.2		
COP @47°F	3.31		
OUTDOOR UNIT		GMV-V36WL/C-T(U)	
Cooling Temperature Range	°F	0 - 129	
Heating Temperature Range	°F	-22 - 81	
Refrigerant Type	R410A		
Compressor Type	Inverter Scroll		
Sound Pressure Level	dB(A)	55	
External Dimensions (W x H x D)	in	35-3/8 x 53 x 13-3/8	
Package Dimension (W x H x D)	in	39-1/4 x 59-1/16 x 18	
Net Weight	lbs	250	
Gross Weight	lbs	270	

REFRIGERANT PIPING		
Refrigerant Charge - R410A	oz	116.4
Additional Charge	oz/ft	Check the manual
Port Size (Liquid - Gas)	(in)	3/8 - 5/8
Max. Length from ODU to IDU (Equivalent)	ft	262
Max. Length from First Branch to IDU	ft	131
Max. Height Difference ODU to IDU (High/Low)	ft	164/131
Max. Height Difference IDU to IDU	ft	49
ELECTRICAL		
Power Supply	208-230V / 1Ph / 60Hz	
MCA	A	33.8
MOCP	A	35
Main Power Wire Size	AWG	Per Local Code
Interconnecting Wire Size	AWG	18/2 Stranded. Shielding Recommended.

FEATURES & FUNCTIONS SUMMARY GMV-V36WL/C-T(U)

SYSTEM FEATURES	
Inverter Type	Inverter Rotary
Ultra Low Frequency Torque Control	Yes
Power Factor Correction	Yes
Compressor Type - Inverter	High Efficiency Rotary
Basepan With Electric Heater	Yes
Outdoor Fin Coating (Gold Fin)	Yes
Intelligent Defrosting	Yes
Intelligent Preheating	Yes
Low Voltage Startup	Yes
Memory/Power Failure Recovery	Yes
Self Diagnosis	Yes

DIMENSIONS

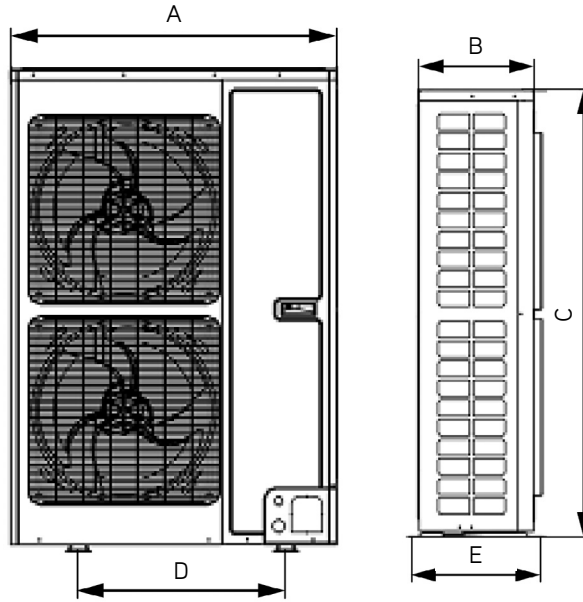
OUTDOOR UNIT

Unit: inch

GMV-V36WL/C-T(U)

DIMENSIONS

A	35-3/8
B	13-3/8
C	53
D	22-1/2
E	14-7/8



CLEARANCES

OUTDOOR UNIT

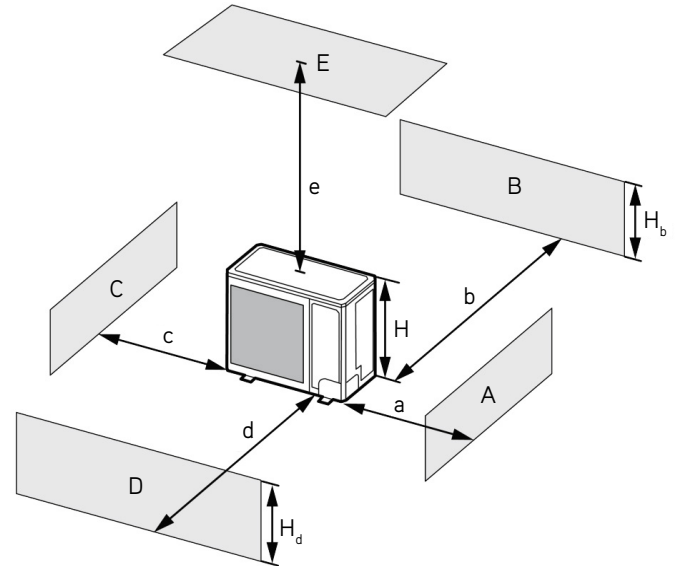
Minimum clearance

NOTE:

Install the Outdoor Unit **2 Inches** Above the Expected Snow Line

1. When one outdoor unit is to be installed.

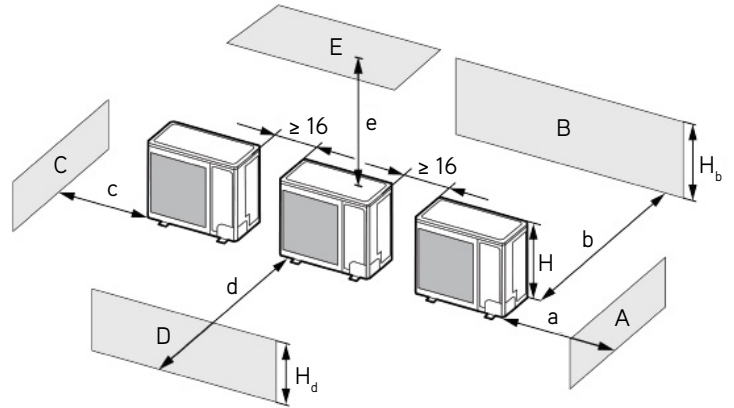
A - E	H_b H_d H		(in)				
			a	b	c	d	e
B	-	-	-	≥ 4	-	-	-
A, B, C	-	-	≥ 12	≥ 4	≥ 4	-	-
B, E	-	-	-	≥ 4	-	-	≥ 40
A, B, C, E	-	-	≥ 12	≥ 6	≥ 6	-	≥ 40
D	-	-	-	-	-	≥ 40	-
D, E	-	-	-	-	-	≥ 40	≥ 40
B, D	$H_b < H_d$	$H_d < H$	-	≥ 4	-	≥ 40	-
	$H_b > H_d$	$H_d > H$	-	≥ 4	-	≥ 40	-
B, D, E	$H_b < H_d$	$H_d \leq 1/2H$	-	≥ 10	-	≥ 80	≥ 40
		$1/2H < H_d \leq H$	-	≥ 10	-	≥ 80	≥ 40
	$H_b > H_d$	$H_d > H$	Prohibited				
		$H_d \leq 1/2H$	-	≥ 4	-	≥ 80	≥ 40
$H_b > H_d$	$1/2H < H_d \leq H$	-	≥ 8	-	≥ 80	≥ 40	
	$H_d > H$	Prohibited					



CLEARANCES

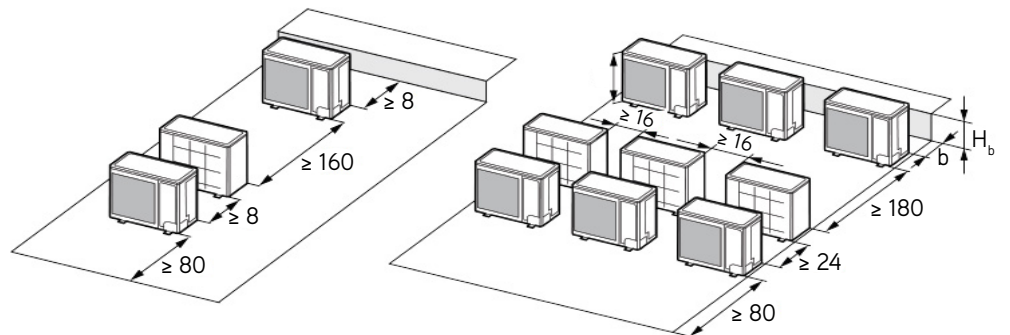
2. When two or more outdoor units are to be installed side by side.

A - E	H_b H_d H		(in)				
			a	b	c	d	e
A, B, C	-	-	≥ 12	≥ 12	≥ 40	-	-
A, B, C, E	-	-	≥ 12	≥ 12	≥ 40	-	≥ 40
D	-	-	-	-	-	≥ 80	-
D, E	-	-	-	-	-	≥ 80	≥ 40
B, D	$H_b < H_d$	$H_d > H$	-	≥ 12	-	≥ 80	-
	$H_b > H_d$	$H_d \leq 1/2H$	-	≥ 10	-	≥ 80	-
B, D, E	$H_b > H_d$	$1/2H < H_b \leq H$	-	≥ 12	-	≥ 100	-
		$H_b \leq 1/2H$	-	≥ 12	-	≥ 80	≥ 40
	$H_b < H_d$	$1/2H < H_b \leq H$	-	≥ 12	-	≥ 100	≥ 40
		$H_b > H$	Prohibited				
	$H_b > H_d$	$H_d \leq 1/2H$	-	≥ 10	-	≥ 100	≥ 40
		$1/2H < H_d \leq H$	-	≥ 12	-	≥ 100	≥ 40
	$H_d > H$	Prohibited					

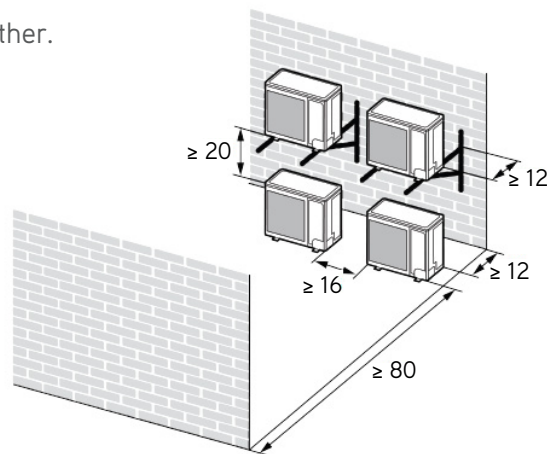


3. When outdoor units are installed in rows.

H_b H_d	(in)
$H_b \leq 1/2H$	$b \leq 10$
$1/2H < H_b \leq H$	$b \leq 12$
$H_b > H_d$	Prohibited



4. When outdoor units are installed one above another.



Specifications are subject to change without notice. Manufacturer reserves the right to discontinue or modify specifications or designs without notice or without incurring obligations. All Rights reserved.